

# THERMELEC

## INDUCTIVE SENSORS

### 1100 NORM SENSING RANGES - increased sensing ranges

#### DESCRIPTION

An important feature of these sensors is the cast electronics in a stable, metal housing. As a consequence of the compound, the electronics are perfectly protected from vibrations. As such, the devices are also sealed against fluids, except for the connector side. They are much more resistant to mechanical stress than conventional proximity switches made from plastic. The ambient temperature can be up to +70°C. In addition, these sensors work through the contactless detection of the object, without wear and tear. Due to the large number of mechanical dimensions, the devices can be exchanged against many other proximity switches without any problems.

#### TECHNICAL DATA

Output signal	_____	pnp, no
Operating voltage	_____	10...30V DC
Current consumption (w/o load)	_____	≤15mA
Output current (max. load)	_____	200mA
Voltage drop (max. load)	_____	2.0V DC
Norm trimming plate	_____	to EN 60947-5-2
Hysteresis (of Sn) typical	_____	<15%
Repeat accuracy (of Sr)	_____	to EN 60947-5-2
Status display	_____	yellow LED
Housing material	_____	nickel-plated brass
Temperature range	_____	-25...+70°C
System of protection (EN 60529)	_____	IP67



- ✓ Models available with LED switch signal
- ✓ Robust metal housing
- ✓ Various lengths available
- ✓ Connection with cable, M8, M12 or microchange connector (mc)

Order Code	Size	Length (thread/complete)	Sensing Range (Sn)	Mounting	Sampling Frequency	Connection	PRICE
IA120100	M12x1	38mm/50mm	2mm	Flush	800Hz	2m PVC-cable, 3-wire	€21.16
IA120104	M12x1	30mm/30mm	2mm	Flush	800Hz	2m PVC-cable, 3-wire	€23.69
IA120120	M12x1	40mm/60mm	2mm	Flush	800Hz	M12-connector, 3-pin*	€22.45
IA120124	M12x1	23mm/45mm	2mm	Flush	800Hz	M12-connector, 3-pin*	€26.17
IM120100	M12x1	33mm/50mm	4mm	Non-flush	400Hz	2m PVC-cable, 3-wire	€21.16
IM120104	M12x1	31mm/37mm	4mm	Non-flush	400Hz	2m PVC-cable, 3-wire	€23.69
IM120120	M12x1	34mm/60mm	4mm	Non-flush	400Hz	M12-connector, 3-pin*	€22.45
IM120124	M12x1	18mm/45mm	4mm	Non-flush	400Hz	M12-connector, 3-pin*	€26.17
<b>MOUNTING BRACKET: AY000049 (See back for details)</b>							
IM180100	M18x1	30mm/50mm	8mm	Non-flush	200Hz	2m PVC-cable, 3-wire	€23.37
IM180120	M18x1	35mm/70mm	8mm	Non-flush	200Hz	M12-connector, 3-pin*	€24.68
<b>MOUNTING BRACKET: AY000051 (See back for details)</b>							
IA300100	M30x1.5	51mm/60mm	10mm	Flush	300Hz	2m PVC-cable, 3-wire	€31.30
IA300120	M30x1.5	44mm/70mm	10mm	Flush	300Hz	M12-connector, 3-pin*	€31.30
IM300100	M30x1.5	35mm/60mm	15mm	Non-flush	100Hz	2m PVC-cable, 3-wire	€31.30
IM300120	M30x1.5	30mm/70mm	15mm	Non-flush	100Hz	M12-connector, 3-pin*	€32.78

**MOUNTING BRACKET: AY000061 (See back for details)**

**CONNECTION ACCESSORIES: \*VK200025, 2m PUR, Straight (See back for details)**

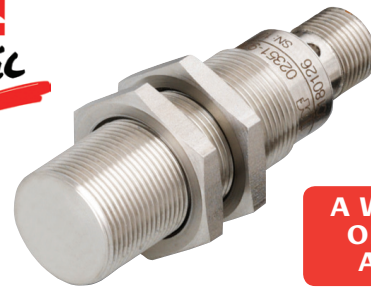
# ALL STEEL SENSORS

## DESCRIPTION

An important feature of these sensors is the one-piece stainless steel housing. This means that the active surface of the devices is sealed against fluids and gases, to which the whole housing material is resistant. They are much more resistant to mechanical stress than conventional proximity switches.

## TECHNICAL DATA

Output signal	_____	pnp, no
Operating voltage	_____	7 ...35V DC
Current consumption (w/o load)	_____	≤15mA
Output current (max. load)	_____	300mA
Voltage drop (max. load)	_____	2.0V DC
Norm trimming plate	_____	to EN 60947-5-2
Hysteresis (of Sn) typical	_____	<15%
Status display	_____	red LED (IC120100) yellow LED (IC180100)
Housing material	_____	stainless steel
Temperature range	_____	-25...+70°C
System of protection (EN 60529)	_____	IP67



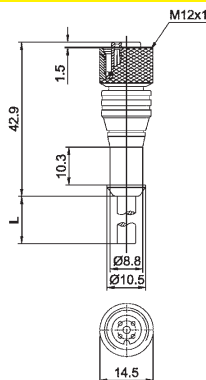
**A WIDE RANGE OF SENSORS AVAILABLE**

- ✓ An innovation of ipf electronic
- ✓ All-round stainless steel (housing, front and rear)
- ✓ Devices up to 130°C with integrated amplifier
- ✓ Short-circuit and reverse polarity protection
- ✓ Devices with thread to EURONORM
- ✓ Connection with cable, M8, M12 or lemosa-connector

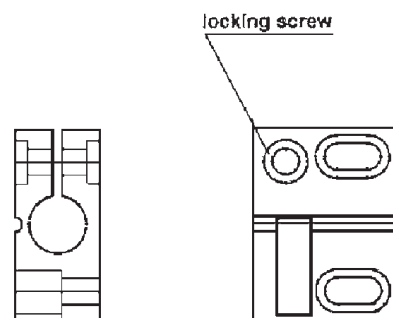
Order Code	Size	Length (thread/complete)	Sensing Range (Sn)	Mounting	Sampling Frequency	Connection	PRICE
IC120100	M12x1	46mm/58mm	2mm	Flush	40Hz	2m PUR-cable, 3-wire	€98.76
IC120120	M12x1	46mm/71mm	2mm	Flush	40Hz	M12-connector, 3-pin*	€100.40
IO120120	M12x1	37mm/71mm	4mm	Non-flush	40Hz	M12-connector, 3-pin*	€120.89
IC180100	M18x1	60mm/71mm	5mm	Flush	30Hz	2m PUR-cable, 3-wire	€151.06
IC180120	M18x1	60mm/86mm	5mm	Flush	30Hz	M12-connector, 3-pin*	€151.55
IC300100	M30x1.5	60mm/71mm	10mm	Flush	30Hz	2m PUR-cable, 3-wire	€175.81
IC300120	M30x1.5	60mm/86mm	10mm	Flush	30Hz	M12-connector, 3-pin*	€183.26

**CONNECTION ACCESSORIES:** \*VK200025, 2m PUR, Straight (See below for details)

## CONNECTION ACCESSORIES



## MOUNTING BRACKETS



Order Code	Description	Length	PRICE
VK200025	Connection M12, straight 3-pin	2m/-	€8.26

Order Code	Description	PRICE
AY000049	Quick clip 12, plastic	€7.04
AY000051	Quick clip 18, plastic	€8.19
AY000061	Quick clip 30, plastic	€10.65

# THE M ELEC